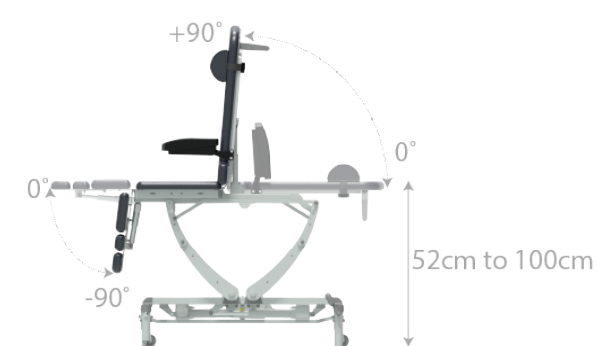
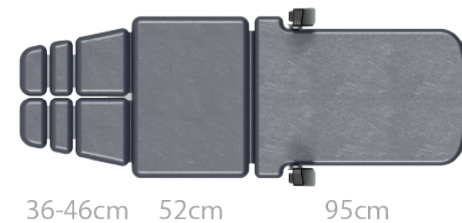


Width  
70cm



## CLINNOVA Versa Pro



Incorporating both an adjustable angle backrest with patient armrests and dual adjustable footrests, these models are suitable for a wide range of seated examination procedures such as podiatry, leg ulcer clinics, orthopaedic casting (plaster room), as well as being ideal for GP surgeries and health centres.

### Models

See Page 54-55 for available models



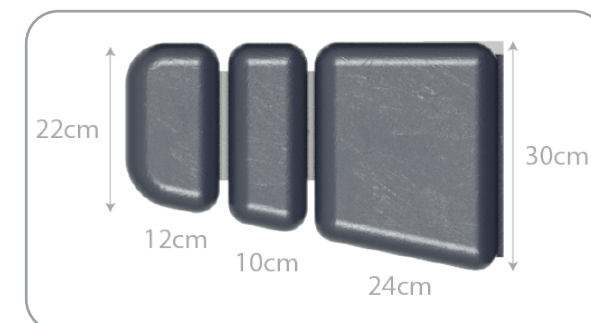
Model NV0495-PRM  
Colour Sky Blue

### Standard Features

- Strong & sturdy design, supporting & lifting patients up to a maximum weight of 285Kg (627lbs)
- Electric height adjustment of 53cm to 99cm, in only 15 seconds
- Electric backrest, adjustable from 0° to +90°
- Electric foot sections, adjustable from 0° to -90°
- Foot sections include anti-trap design to prevent risk of crushing
- Fold-down armrests, head support cushion and paper roll holder included as standard
- Choice of 75mm retractable wheels, 125mm independent castors or 125mm central locking castors
- Purpose-made precision bearings ensure quiet, reliable operation and increase product life expectancy
- Frame design enables use of mobile hoist
- Electric models include a digital display handset as standard
- Laser cut fixing points to easily retrofit approved accessories
- Anti-microbial paint additive on framework prevents growth of bacteria, fungi and viruses
- 70cm wide Easy Clean Upholstery conceals all visible staples
- Choice of Standard or Standard+ upholstery colours

### Optional Accessories

- 6004** Breathing hole and plug
- 6006** Upper Limb Support
- 6044** Lithotomy Stirrups
- 6045** Gynaecology Leg Supports
- 9212** 6 Way Foot Switch
- 6057** Battery back-up facility
- 6054** Telescopic IV pole



Individually adjustable electric footrests with in-fill section for taller patients

Model NV0595-CLS  
Colour Dark Blue



## CLINNOVA Versa Pro - Models Available



### NV0495-CLS

Electric Height Elevation  
Electric Backrest  
Electric Footrests  
Electric Tilt  
Independently Braking Castors  
Classic Base



### NV0595-CLS

Electric Height Elevation  
Electric Backrest  
Electric Footrests  
Electric Tilt  
Linked Retractable Castors  
Classic Base



### NV0695-CLS

Electric Height Elevation  
Electric Backrest  
Electric Footrests  
Electric Tilt  
Central Locking Castors  
Classic Base



### NV0495-PRM

Electric Height Elevation  
Electric Backrest  
Electric Footrests  
Electric Tilt  
Independently Braking Castors  
Premium Base



### NV0595-PRM

Electric Height Elevation  
Electric Backrest  
Electric Footrests  
Electric Tilt  
Linked Retractable Castors  
Premium Base



### NV0695-PRM

Electric Height Elevation  
Electric Backrest  
Electric Footrests  
Electric Tilt  
Central Locking Castors  
Premium Base